

# ISCOM HT801-GSFP GPON Stick

## Introduction

ISCOM HT801-GSFP is a GPON ONT stick in an SFP form factor that can be integrated with a GPON ONU MAC. It can be inserted into any SFP interface in an Ethernet switch, IP camera, LTE small cell, router, DSLAM, or other device. This allows the original network to operate as a PON network with minimal complexity in network reconstruction. Additional benefits are lower power consumption and cost, and improved network reliability.



## Highlights

- SFP form, small size, elegant appearance, and light weight
- Compliance with ITU-T G.984/G.988 and China communication industrial standards
- Low cost high effectiveness for network transformation to PON, suitable for large-scale applications
- Tested full interoperability with any OLT by any vendors

## Typical application

### International Headquarters

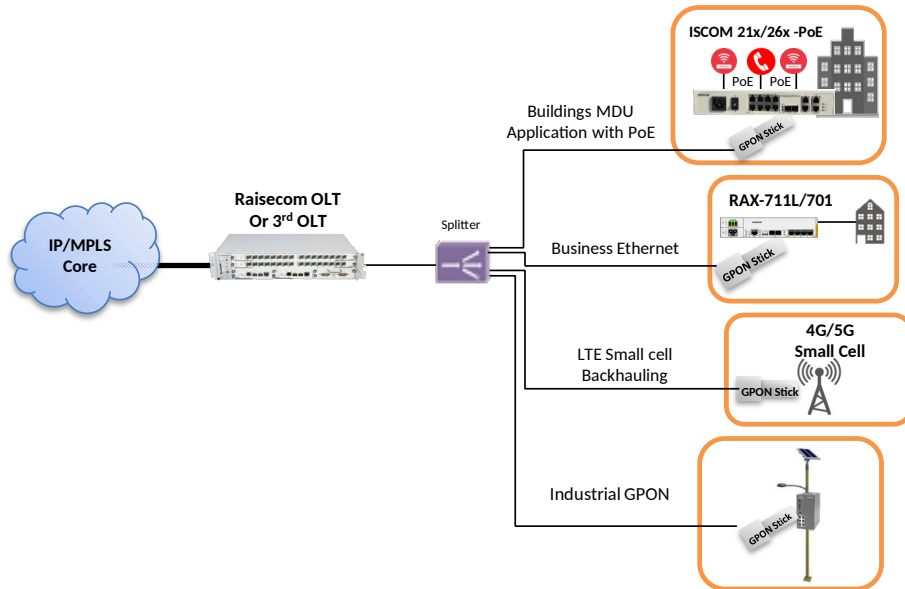
East-11, Raisecom Building, No.10 Xibeiwang East Road,  
Haidian District, Beijing, 100094, China  
Tel: +86 10 8288 3305  
Fax: +86 10 8288 3056  
[www.raisecom.com](http://www.raisecom.com)

### U.S.A. Headquarters

Address: 3031 N. Rocky Point Drive West Suite 100  
Tampa, Florida 33607 USA  
Tel: 1-888-816-4808  
Email: [sales@raisecominc.com](mailto:sales@raisecominc.com)

### Raisecom Technology Co., Ltd

Copyright@1999-2016  
All rights reserved  
Technical information is subjected  
to change without notice



- GPON stick provides a pluggable GPON interface for FTTH , business and wireless backhaul applications in a compact form factor and lower power consumption.
- Can be plugged into Raisecom' s (or 3<sup>rd</sup> party ) : L2/L3 switch , Eth EDD/PTN, Industrial Ethernet Switches with standard SFP or directly plugged into LTE Small Cell to assure minimal down time
- Offering various type of applications:
  - ◆ Building MDU's with PoE ( plugged into ISCOM 21xx/26xx -PWR)
  - ◆ Business Ethernet services over GPON ( plugged into RAX-711L/701)
  - ◆ LTE small cell backhaul over GPON
  - ◆ Industrial GPON ( plugged into Gazelle Switches)
- Interop with Raisecom OLT's or 3rd OLT

## Specifications

Physical features	
Dimensions	Standard SFP form
Maximum overall power consumption	< 2.5 W
Operating temperature	Industrial level: -40 to 85°C (shell temperature)
Operating humidity (RH)	5%–80% (non-condensing)
Altitude	≤ 5000 m
Software features	
PON	<ul style="list-style-type: none"> <li>8 T-CONT interfaces and 32 GEM interfaces</li> <li>Multiple authentication modes (SN, Password, LOID, etc.)</li> <li>AES-128 encryption</li> </ul>
MAC address	<ul style="list-style-type: none"> <li>Up to 256 entries in the MAC address table</li> <li>Storm control over DLF packets, unknown multicast packets, and broadcast packets</li> </ul>
VLAN	<ul style="list-style-type: none"> <li>IEEE 802.1Q</li> <li>CTC VLAN mode (transparent transmission, tag, translation, and Trunk)</li> </ul>
QoS/ACL	<ul style="list-style-type: none"> <li>Matching Layer 2 traffic classification with different fields, such as the destination MAC address, source MAC address, VLAN ID, and CoS</li> <li>Matching Layer 3 traffic classification with different fields, such as the destination IP address, source IP address, and IP type</li> <li>Configuring the action for QoS or ACL traffic classification</li> <li>Priority scheduling in SP, WRR, WDRR, etc. mode</li> </ul>
Multicast	IGMP Snooping
Maintenance and management	<ul style="list-style-type: none"> <li>OMCI management and configuration, in compliance with G.984.4/G.988 and China Telecom GPON technical specifications</li> <li>OLT or Web management</li> <li>Interface Up/Down and power failure alarms</li> <li>Configuring thresholds of optical module parameters and querying the current value</li> </ul>
Interface indexes	
GPON interface	<ul style="list-style-type: none"> <li>Class B+</li> <li>Interface type (SMF): PON interface, in SC/PC form</li> <li>Transmission rate: 1.25 Gbit/s in the uplink and 2.5 Gbit/s in the downlink</li> <li>Central wavelength: 1310 nm for Tx and 1490 nm for Rx</li> <li>Receiving sensitivity: -28 dBm</li> <li>Minimum overload:-8 dBm</li> </ul>

## Ordering information

Model	Version	Description
-------	---------	-------------

---

ISCOM HT801-GSFP	T.00(RC01)	GPON ONT Stick
------------------	------------	----------------